

# PTZ NETWORK CAMERA



Explore the excellence of our PTZ33XIP5MP-AI-N network camera, a true asset for security. Equipped with a dynamic 5 MP lens, powerful 33x zoom, and advanced features such as alarms, instant notifications, as well as two-way audio, this camera provides comprehensive protection. Its high-speed motorization ensures precise and rapid surveillance, while the exceptional image clarity and automatic tracking make it an ideal solution for complete coverage. With proactive incident management and cutting-edge performance, it guarantees total peace of mind in all your security setups. Choose sophistication and reliability with the PTZ33XIP5MP-AI-N for uncompromising security.



## PTZ33XIP5MP-AI-N



5MP RESOLUTION



4.3-142MM  
MOTORIZED LENS



IR UP TO 150M



33X OPTICAL ZOOM



360°  
LONG RANGE



ALARM/AUDIO IN/OUT



IP66  
DUSTPROOF & WATER-RESISTANT



256GB  
MICRO SD CARD SLOT UP TO 256GB

CAMÉRA	
IMAGE SENSOR	1/2.7"
MAX. RESOLUTION	5MP 2592(H)×1944(V)
SCANNING SYSTEM	Progressive CMOS
MIN. ILLUMINATION	Color : 0,003 Lux @ (F1.6, AGC ON), B/W: 0 Lux with IR
SHUTTER SPEED	1/5 s to 1/20000 s
SLOW SHUTTER	Yes
DAY & NIGHT	IR cut filter with auto switch (Day/Night/Auto/Image/Schedule)
ZOOM	33x optical

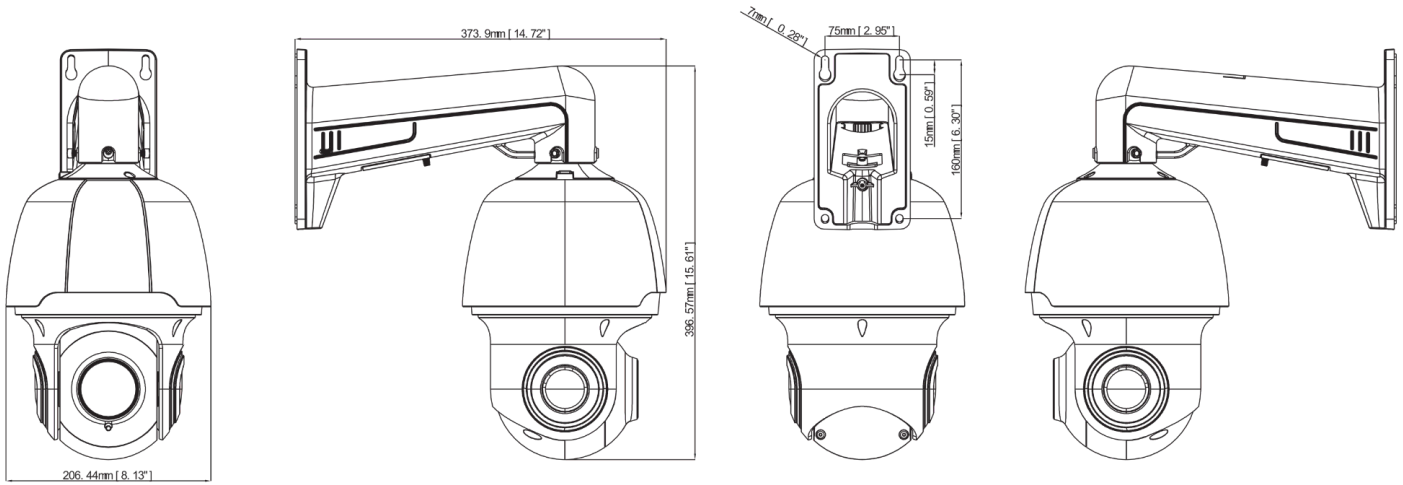
LENS	
FOCAL LENGTH (ZOOM RATIO)	4.3 - 142mm
MAX. APERTURE RATIO	Max. F1.6
ANGULAR FIELD OF VIEW	Horizontal : 55° à 2,3° (wide-tele) Vvertical : 41,6° à 1,7° (wide-tele) Diagonal : 67,9° à 2,8°(wide-tele)
FOCUS	Auto/Manual
SUPPLEMENT LIGHT RANGE	Distance de l'IR jusqu'à 150 m
SUPPLEMENT LIGHT TYPE	IR

PTZ	
MOVEMENT RANGE(PAN)	360°
MOVEMENT RANGE(TILT)	-10° à 90° (auto flip)
PAN SPEED	configurable speed: 0.6° to 200°/s; preset speed: 200°/s
TILT SPEED	configurable speed: 0,6° à 90°/s preset speed: 100°/s
PRESETS	255
PATROL SCAN	1 scan
PATTERN SCAN	4 pattern
3D POSITIONING	Yes

NETWORK	
PROTOCOLS	IPv4/IPv6, HTTP, HTTPS, FTP, SMTP, UPnP, SNMP, DNS, DDNS, NTP, RTSP, RTP, TCP/IP, UDP, DHCP, PPPoE,
APP PROGRAMMING INTERFACE	ONVIF( Profil S/G/T), HTTP API
SIMULTANEOUS	Live View Up to 15 channels
USER/HOST	5 Users
SECURITY	Password protection, complicated password, HTTPS encryption, IP address filter, control timeout settings
CLIENT	VMS
COMPATIBLE WEB BROWSERS	IE10/11, Safari V12.1 above, Firefox V.52 above, Google chrome V.57 above, Edge V.79 above

VIDEO	
MAIN STREAM	50Hz: 25fps(2592x1944/2592x1520/2048x1536/2304x1296/1920x1080/ 1280x960/1280x720) 60 Hz : 30 fps (2592x1944/2592x1520/2048x1536/2304x1296/1920x1080/ 1280x960/1280x720)
SUB-STREAM	50 Hz: 25 fps (1280x720/640x480/320x240) 60 Hz: 30 fps (1280x720/640x480/320x240)
THIRD STREAM	50 Hz: 25 fps (640x480/320x240) 60 Hz: 30 fps (640x480/320x240)
VIDEO COMPRESSION	Mainstream: H.265+/H.265/H.264+/H.264 Sub-Stream:H.265+/H.265/H.264+/H.264/MJPEG Third Stream: H.265+/H.265/H.264+/H.264
VIDEO BIT RATE	8 kbps to 8192 kbps
H.264 TYPE	Baseline Profile/Main Profile/High Profile
H.265 TYPE	Main Profile
REGION OF INTEREST (ROI)	N/A
AUDIO COMPRESSION	G.711a/G.711u
IMAGE	
IMAGE ENHANCEMENT	BLC, HLC, 3D DNR
WIDE DYNAMIC RANGE	120 dB
IMAGE SETTINGS	Saturation, brightness, contrast, sharpness, Hue and white balance adjustable by client software or web browser
PRIVACY MASK	Off/On (4 zones)
INTERFACE	
ETHERNET	1 port Ethernet RJ45 10M/100M auto-adaptatif
ON-BOARD STORAGE	Micro SD card slot SD/SDHC/SDXC, up to 256 Go
ALARM	1 inputs, 1 output
AUDIO	1 inputs, 1 output
HARDWARE RESET	Yes
EVENT	
BASIC EVENT	Motion detection, alarm input and output
SMART FEATURES	FD, PD&VD, PID, CC, SOD, HM, CD, QD, LPD, LDC
SMART TRACKING	Auto-tracking
ALARM LINKAGE	Upload to FTP, send email, trigger alarm output, trigger recording
GENERAL	
OPERATING CONDITION	-30-->60°C/ less then ≤ 90% RH
INGRESS PROTECTION	IP66
INPUT VOLTAGE / CURRENT	DC 12V/POE+, max. 25.6 W
DIMENSIONS	Ø 206.4 mm × 351.8 mm
WEIGHT	appro. 3700g

## DIMENSIONS



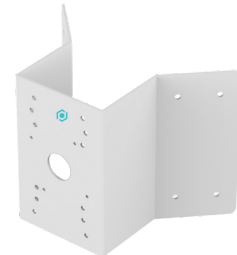
## ACCESSORIES



**CMB6-P**  
CEILING MOUNT BRACKET



**PMB6**  
SUPPORT POUR POTEAU



**COMB6**  
CORNER MOUNT BRACKET



**WMB8**  
WALLMOUNT BRACKET



**EXT-4POE**  
4 PORTS POE EXTENDER



**IPCOAX-300M**  
IP OVER COAX EXTENDER